



Rug-Rel

Commitment towards Technology & Quality Services

Rug-Rel Flight Case

FEATURES:

- ESD Safe
- IP Protected (IP65)
- Fire Retardant
- Shock Proof
- Vibration Proof
- Powder coating Olive Green/Olive Drab matt
- Dimension: D 840+2mm (Outside), W 5582mm (Inside), H 466+2mm (Inside)
- Cover: Front and Rear (Removable)
- Weight: 23±1 KG
- Compliant to MIL-STD-810F and JSS-55555
- Automatic pressure relief valve (APV) for safety at high altitude
- Humidity indicator (incl reusable desiccant)
- Drop Test: MIL STD 810G (Without load)
- Equipment Load Bearing capacity: 50Kg
- 19-inch chassis fitted inside the Flight case for mounting the Equipment
- Very lightweight, Usable height 8U, 19-inch, Compact, ruggedized, quick to deploy subsystems, portable, durable, impact, corrosion-resistant & designed to meet harsh environmental conditions
- The Flight case will have appropriate thermal insulator material below the outer envelope. This will ensure that the heat/ coldness is not lost
- Recessed, sprung handles and quick release lid latches will be provided for secure closure & removable front and rear access with locking arrangement



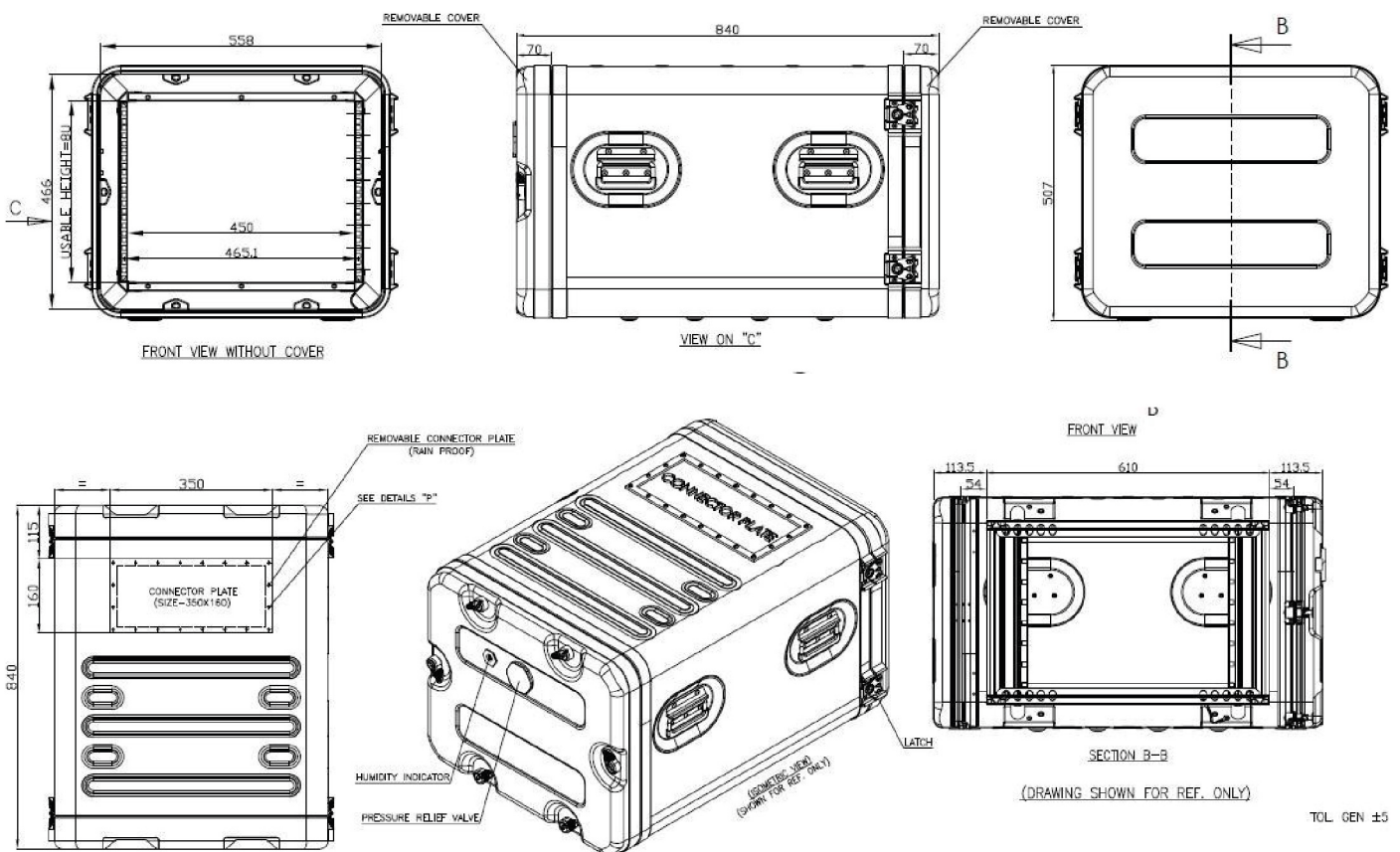


Rug-Rel

Commitment towards Technology & Quality Services

Rug-Rel Flight Case

- Handle: 4 Nos
- Stainless steel latch compresses silicone seal/ Gasket to give an Ingress Protection (IP65)
- Inside Dimension: Height=466mm x Width=558mm
- Case Material - High tensile Aluminum Alloy, Material thickness -1.5mm (min.)
- Connector Plate : 1 No., (Size- 350mm X 160mm) (Fitted at Top of Flight Case as per drg. or at suitable location with Rubber gasket all around (W=15 x Th. 2mm) & should be removable type, Material-Aluminum sheet, Thickness-2 mm
- Chassis mounted on eight elastomeric mounts.



ORDERING INFORMATION:

PART NUMBER	DESCRIPTION
0313-000-089	Flight Case with 19 Inch rack for equipments